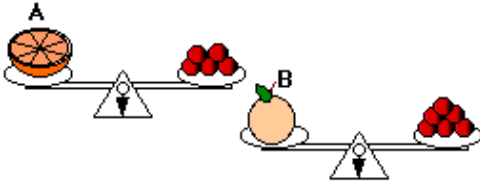


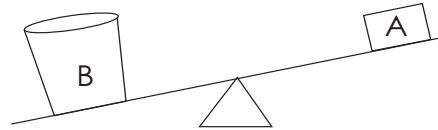
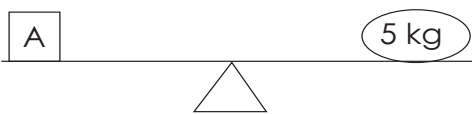
# Assessment Test for Singapore Primary Mathematics 3B Common Core Edition

This test covers material taught in Primary Mathematics 3B Common Core Edition  
(<http://www.singaporemath.com/>)

1. Which is heavier, A or B? \_\_\_\_\_ [1]



2. Fill in "heavier than", "lighter than" or "as heavy as".



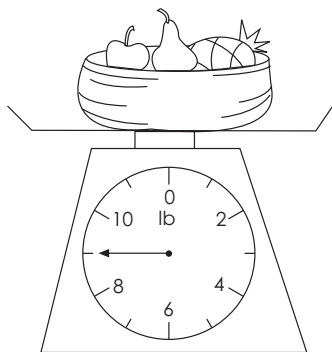
(a) A is \_\_\_\_\_ 5 kg. [1]

(b) A is \_\_\_\_\_ B. [1]

(c) B is \_\_\_\_\_ 5 kg. [1]

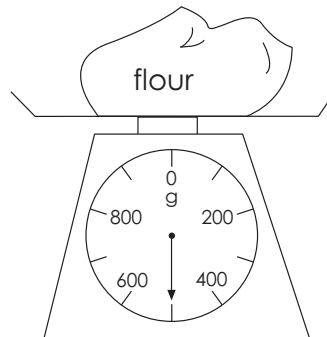
3. Study the scales and write the correct weight. [2]

(a)



\_\_\_\_\_ lb

(b)



\_\_\_\_\_ g

4. Fill in the blanks with kg or g.

(a) The watermelon weighs about 3 \_\_\_\_\_. [1]

(b) A boy weighs about 30 \_\_\_\_\_. [1]

(c) 5 eggs weigh 275 \_\_\_\_\_. [1]

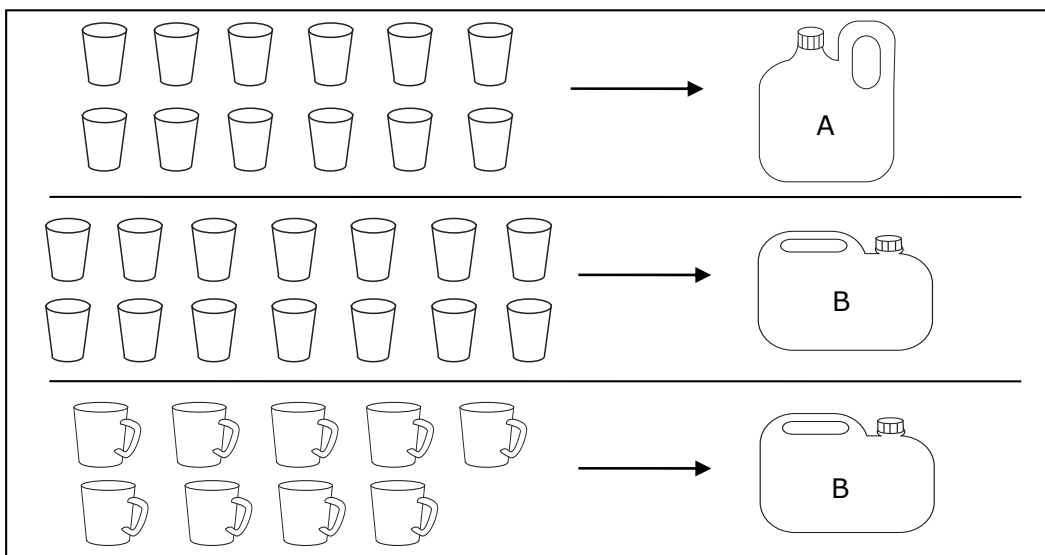
5. Fill in the blanks with lb or oz.

(a) The apple weighs about 6 \_\_\_\_\_. [1]

(b) The watermelon weighs about 5 \_\_\_\_\_. [1]

(c) 28 grams weigh about the same as 1 \_\_\_\_\_. [1]

6.



This picture shows how many cups or mugs are used to fill up each jug, A and B. Circle the correct answer.

(a) Which holds more water, Jug A or Jug B?    A    B    [2]

(b) Which can hold more water?        

7. Write  $>$ ,  $<$ , or  $=$  in each  $\bigcirc$

(a) 2 quarts  $\bigcirc$  1 gallon (b) 1 kg  $\bigcirc$  1 lb [2]

(c) 4 L  $\bigcirc$  400 ml (d) 4 pints  $\bigcirc$  1 quart [2]

(e) 1 liter  $\bigcirc$  1 quart (f) 3 qt 2 pt  $\bigcirc$  1 gal [2]

(g) 2 days  $\bigcirc$  15 hours (h) 2 months  $\bigcirc$  50 days [2]

(i) 2 h  $\bigcirc$  210 min (j) 3 months  $\bigcirc$  12 weeks [2]

8. Fill in the blanks.

(a)  $3 \text{ kg } 250 \text{ g} - 1 \text{ kg } 600 \text{ g} = \underline{\hspace{2cm}} \text{ kg } \underline{\hspace{2cm}} \text{ g}$  [1]

(b)  $5 \text{ h } 10 \text{ min} - 3 \text{ h } 25 \text{ min} = \underline{\hspace{2cm}} \text{ h } \underline{\hspace{2cm}} \text{ min}$  [1]

(c)  $3 \text{ lb} - 2 \text{ lb } 5 \text{ oz} = \underline{\hspace{2cm}} \text{ lb } \underline{\hspace{2cm}} \text{ oz}$  [1]

(d)  $13 \text{ gal } 1 \text{ qt} - 2 \text{ gal } 3 \text{ qt} = \underline{\hspace{2cm}} \text{ gal } \underline{\hspace{2cm}} \text{ qt}$  [1]

(e)  $3 \text{ h } 20 \text{ min} + 1 \text{ h } 45 \text{ min} = \underline{\hspace{2cm}} \text{ h } \underline{\hspace{2cm}} \text{ min}$  [1]

(f)  $4 \text{ min } 5 \text{ s} - 1 \text{ min } 20 \text{ s} = \underline{\hspace{2cm}} \text{ min } \underline{\hspace{2cm}} \text{ s}$  [1]

9. A tank can hold 8 buckets of water. The capacity of the bucket is 6 liters. What is the capacity of the tank? [2]

10. The capacity of a jug is 3 quarts. Kerry needs 6 gallons of juice for a party. How many jugs of juice will she have to make? [3]

11. John weighs 64 lb. His brother weighs 16 lb less. Their father's weight is 2 times their total weight. What is their father's weight? [3]

12. A melon is 5 times as heavy as an orange. If the orange weighs 450 g, find the difference in weight between the orange and the melon. Give your answer in kilograms and grams. [3]

13. John left his house at 11:45 a.m. He took 25 minutes to walk to the store. What time did he arrive at the store? [2]

14. David visited some friends. He left at 10:50 a.m. and came back home three and a half hours later. What time did he get home? [2]

15. A birthday party started at 11:30 a.m. It ended at 2:15 p.m. How long did the party last? [2]

16. John took 2 h 40 min to paint his room. He finished at 11:30 a.m. What time did he begin painting his room? [2]

17. Fill in the blanks.

(a) 7 quarters = \$\_\_\_\_\_ (b) 15 nickels = \$\_\_\_\_\_ [2]

18. The sum of 6 one-dollar bills, 5 quarters, 8 dimes, 5 nickels, and 14 pennies is \$\_\_\_\_\_ [2]

19. Solve using mental math:

(a)  $\$15.60 + 45\text{¢} = \$\_\_\_\_\_\_$  (b)  $\$15.35 + \$35.75 = \$\_\_\_\_\_\_$  [2]

(c)  $\$100 - \$53.80 = \$\_\_\_\_\_\_$  (d)  $\$10.05 - \$5.35 = \$\_\_\_\_\_\_$  [2]

20. Solve:

(a) 
$$\begin{array}{r} \$3\ 5\ .9\ 2 \\ + \$2\ 3\ .8\ 6 \\ \hline \end{array}$$

(b) 
$$\begin{array}{r} \$6\ 0\ .0\ 5 \\ - \$3\ 3\ .1\ 7 \\ \hline \end{array}$$
 [2]

21. Mr. Green bought some vegetables for \$8.50 and fish for \$12.95. He had \$32.30 left. How much money did he have at first? [3]

22. A 10 oz. carton of strawberries at a farmer's market costs \$2. Hallie [3]  
wants to buy strawberries only if they are less than \$3 a pound.  
Should she buy the strawberries? Why or why not?

23. Find the missing numbers for the top or bottom of the fractions.

(a)  $\frac{2}{3} = \frac{\square}{12} = \frac{4}{\square}$

(b)  $\frac{6}{18} = \frac{\square}{6} = \frac{1}{\square}$  [2]

24. Circle the larger fraction.

(a)  $\frac{4}{5}$        $\frac{4}{9}$

(b)  $\frac{2}{3}$        $\frac{5}{6}$  [2]

25. Express each of the following fractions in its simplest form.

(a)  $\frac{6}{10}$

(b)  $\frac{3}{9}$  [2]

26. How many halves are there in 5? [1]

27. Find the missing numbers for the top or bottom of the fractions.

(a)  $2 = \frac{\square}{12}$

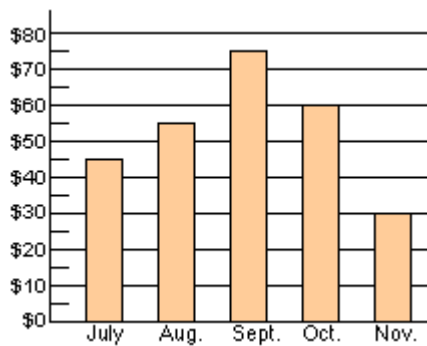
(b)  $6 = \frac{30}{\square}$  [2]

28. Melissa ate  $\frac{2}{6}$  of a pie. Sara ate  $\frac{1}{2}$  of the pie. Who ate a bigger portion of the pie? [2]

29. Alex has 2 quarters, 1 dime, and 2 nickels. What fraction of his coins are quarters? [3]

30. There are 10 apples in a bowl. 2 are red and the rest are green. What fraction of the apples is green? [3]

31. This bar graph shows David's savings for five months.



(a) David saved \$\_\_\_\_\_ in August. [1]

(b) He saved the least money in [1]

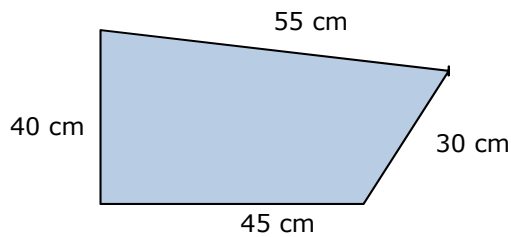
\_\_\_\_\_.

(c) In \_\_\_\_\_ he saved twice as much as in November. [1]

(d) He saved \$\_\_\_\_\_ more in October than in July. [1]

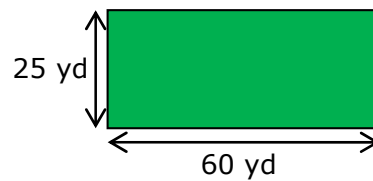


32.



- (a) The perimeter of this figure is \_\_\_\_\_ m \_\_\_\_\_ cm [2]
- (b) Is this figure a rhombus? [1]
- (c) The figure has \_\_\_\_\_ right angles, \_\_\_\_\_ angles greater than a right angle, and \_\_\_\_\_ angles smaller than a right angle. [2]

33. The length of a rectangular field is 60 yd and its width is 25 yd. Sam ran around the field three times. How far did he run?

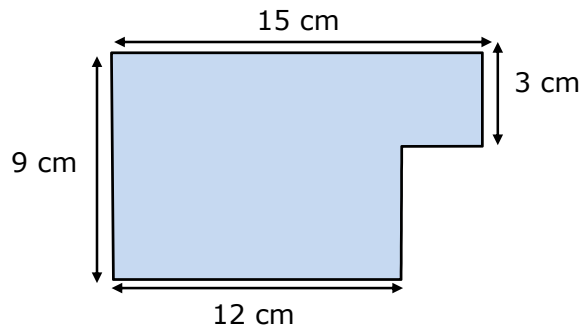


[2]

34. The length of a rectangular carpet is 13 m and its width is 7 m. What is the area of the rug?

[2]


35. In the figure, all lines meet at right angles.



(a) Find the area of the figure. [3]

(b) Find the perimeter of the figure. [2]

## Answer Key

1. B
2. (a) as heavy as  
(b) lighter than  
(c) heavier than
3. (a) 9  
(b) 500
- 4 (a) kg  
(b) kg  
(c) g
5. (a) oz  
(b) lb  
(c) oz
6. (a) B  
(b) 
7. (a) < (b) >  
(c) > (d) >  
(e) > (f) =  
(g) > (h) <  
(i) < (j) >
4. (a) 1 kg 650 g  
(b) 1 h 45 min  
(c) 0 lb 11 oz  
(d) 10 gal 2 qt  
(e) 5 h 5 min  
(f) 2 min 45 s
9. 48 L
10. 8 jugs
11. 224 lb
12. 1 kg 800 g
13. 12:10 p.m.
14. 2:20 p.m.
15. 2 h 45 min
16. 8:50 a.m.
17. (a) \$1.75 (b) \$0.75
18. \$8.44
19. (a) \$16.05 (b) \$51.10  
(c) \$46.20 (d) \$4.70
20. (a) \$59.78 (b) \$26.88
21. \$53.75
22. No
23. (a) 8; 6 (b) 2; 3
24. (a)  $\frac{4}{5}$  (b)  $\frac{5}{6}$
25. (a)  $\frac{3}{5}$  (b)  $\frac{1}{3}$
26. 10
27. (a) 24 (b) 5
28. Sara
29.  $\frac{2}{5}$
30.  $\frac{1}{5}$
31. (a) 55 (b) Nov.  
(c) Oct. (d) 15
32. (a) 1 m 70 cm  
(b) no  
(c) 1, 1, 2
33. 510 yd
34. 91 m<sup>2</sup>
35. (a) 117 cm<sup>2</sup> (b) 48 cm