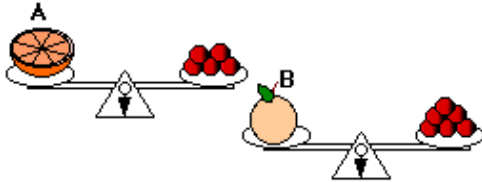


Assessment Test for Singapore Primary Mathematics 3B

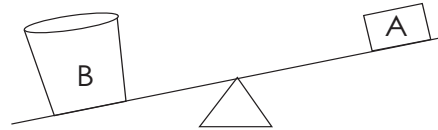
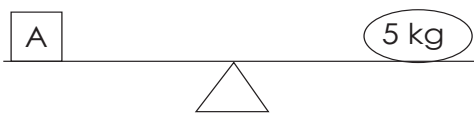
This test covers material taught in Primary Mathematics 3B

(<http://www.singaporemath.com/>)

1. Which is heavier, A or B? _____ [1]



2. Fill in "heavier than", "lighter than" or "as heavy as".



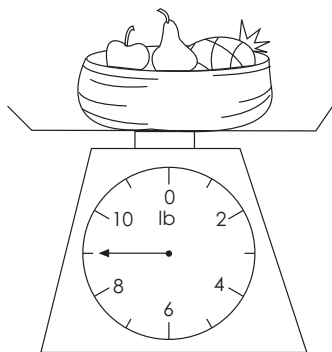
(a) A is _____ 5 kg. [1]

(b) A is _____ B. [1]

(c) B is _____ 5 kg. [1]

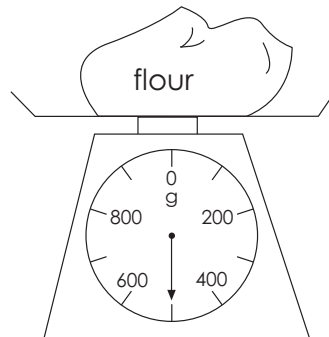
3. Study the scales and write the correct weight. [2]

(a)



_____ lb

(b)



_____ g

4. Fill in the blanks with kg or g.

(a) The watermelon weighs about 3 _____. [1]

(b) A boy weighs about 30 _____. [1]

(c) 5 eggs weigh 275 _____. [1]

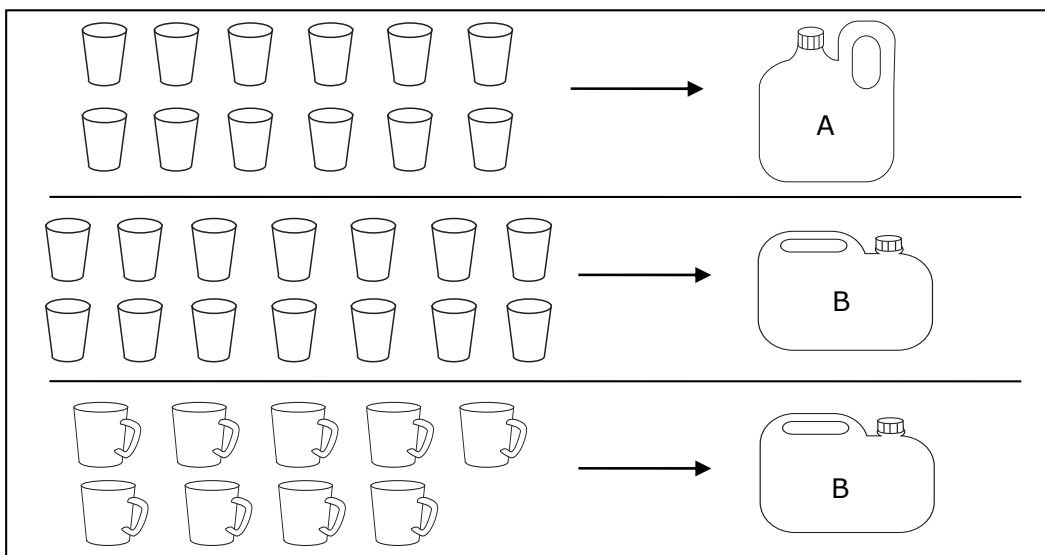
5. Fill in the blanks with lb or oz.

(a) The apple weighs about 6 _____. [1]

(b) The watermelon weighs about 5 _____. [1]



(c) 28 grams weigh about the same as 1 _____. [1]

6.



This picture shows how many cups or mugs are used to fill up each jug, A and B. Circle the correct answer.

(a) Which holds more water, Jug A or Jug B? A B [2]

(b) Which can hold more water?  

7. Write $>$, $<$, or $=$ in each \bigcirc

(a) 2 quarts \bigcirc 1 gallon (b) 1 kg \bigcirc 1 lb [2]

(c) 4 L \bigcirc 400 ml (d) 4 pints \bigcirc 1 quart [2]

(e) 1 liter \bigcirc 1 quart (f) 3 qt 2 pt \bigcirc 1 gal [2]

(g) 2 days \bigcirc 15 hours (h) 2 months \bigcirc 50 days [2]

(i) 2 h \bigcirc 210 min (j) 3 months \bigcirc 12 weeks [2]

8. Fill in the blanks.

(a) 3 kg 250 g - 1 kg 600 g = _____ kg _____ g [1]

(b) 5 h 10 min - 3 h 25 min = _____ h _____ min [1]

(c) 3 lb - 2 lb 5 oz = _____ lb _____ oz [1]

(d) 13 gal 1 qt - 2 gal 3 qt = _____ gal _____ qt [1]

(e) 3 h 20 min + 1 h 45 min = _____ h _____ min [1]

(f) 4 min 5 s - 1 min 20 s = _____ min _____ s [1]

9. A tank can hold 8 buckets of water. The capacity of the bucket is 6 liters. What is the capacity of the tank? [2]

10. The capacity of a jug is 3 quarts. Kerry needs 6 gallons of juice for a party. How many jugs of juice will she have to make? [3]

11. John weighs 64 lb. His brother weighs 16 lb less. Their father's weight is 2 times their total weight. What is their father's weight? [3]

12. A melon is 5 times as heavy as an orange. If the orange weighs 450 g, find the difference in weight between the orange and the melon. Give your answer in kilograms and grams. [3]

13. John left his house at 11:45 a.m. He took 25 minutes to walk to the store. What time did he arrive at the store? [2]

14. David visited some friends. He left at 10:50 a.m. and came back home three and a half hours later. What time did he get home? [2]

15. A birthday party started at 11:30 a.m. It ended at 2:15 p.m. How long did the party last? [2]

16. John took 2 h 40 min to paint his room. He finished at 11:30 a.m. What time did he begin painting his room? [2]

17. Fill in the blanks.

(a) 7 quarters = \$_____ (b) 15 nickels = \$_____ [2]

18. The sum of 6 one-dollar bills, 5 quarters, 8 dimes, 5 nickels, and 14 pennies is \$_____ [2]

19. Solve using mental math:

(a) $\$15.60 + 45\text{¢} = \$$ _____ (b) $\$15.35 + \$35.75 = \$$ _____ [2]

(c) $\$100 - \$53.80 = \$$ _____ (d) $\$10.05 - \$5.35 = \$$ _____ [2]

20. Solve:

(a)
$$\begin{array}{r} \$3\ 5\ .9\ 2 \\ + \$2\ 3\ .8\ 6 \\ \hline \end{array}$$

(b)
$$\begin{array}{r} \$6\ 0\ .0\ 5 \\ - \$3\ 3\ .1\ 7 \\ \hline \end{array}$$
 [2]

21. Mr. Green bought some vegetables for \$8.50 and fish for \$12.95. He had \$32.30 left. How much money did he have at first? [3]

22. A 10 oz. carton of strawberries at a farmer's market costs \$2. Hallie [3]
wants to buy strawberries only if they are less than \$3 a pound.
Should she buy the strawberries? Why or why not?

23. Find the missing numbers for the top or bottom of the fractions.

(a) $\frac{2}{3} = \frac{\square}{12} = \frac{4}{\square}$

(b) $\frac{6}{18} = \frac{\square}{6} = \frac{1}{\square}$ [2]

24. Circle the larger fraction.

(a) $\frac{4}{5}$ $\frac{4}{9}$

(b) $\frac{2}{3}$ $\frac{5}{6}$ [2]

25. Express each of the following fractions in its simplest form.

(a) $\frac{6}{10}$

(b) $\frac{3}{9}$ [2]

26. How many halves are there in 5? [1]

27. Find the missing numbers for the top or bottom of the fractions.

(a) $2 = \frac{\square}{12}$

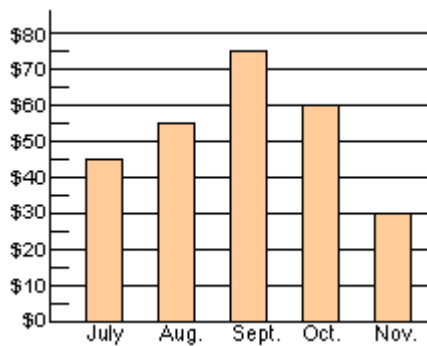
(b) $6 = \frac{30}{\square}$ [2]

28. Melissa ate $\frac{2}{6}$ of a pie. Sara ate $\frac{1}{2}$ of the pie. Who ate a bigger portion of the pie? [2]

29. Alex has 2 quarters, 1 dime, and 2 nickels. What fraction of his coins are quarters? [3]

30. There are 10 apples in a bowl. 2 are red and the rest are green. What fraction of the apples is green? [3]

31. This bar graph shows David's savings for five months.



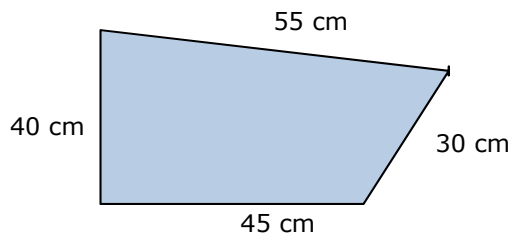
(a) David saved \$_____ in August. [1]

(b) He saved the least money in _____.

(c) In _____ he saved twice as much as in November. [1]

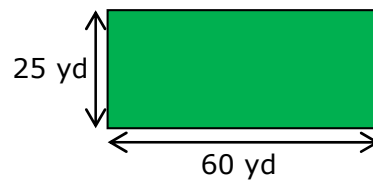
(d) He saved \$_____ more in October than in July. [1]

32.



- (a) The perimeter of this figure is _____ m _____ cm [2]
- (b) Is this figure a rhombus? [1]
- (c) The figure has _____ right angles, _____ angles greater than a right angle, and _____ angles smaller than a right angle. [2]

33. The length of a rectangular field is 60 yd and its width is 25 yd. Sam ran around the field three times. How far did he run?

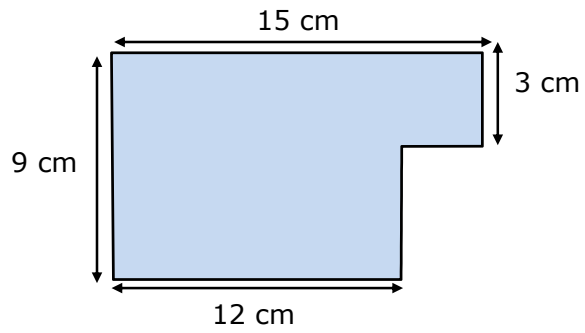


[2]

34. The length of a rectangular carpet is 13 m and its width is 7 m. What is the area of the rug?

[2]


35. In the figure, all lines meet at right angles.



(a) Find the area of the figure. [3]

(b) Find the perimeter of the figure. [2]

Answer Key

1. B
2. (a) as heavy as
(b) lighter than
(c) heavier than
3. (a) 9
(b) 500
- 4 (a) kg
(b) kg
(c) g
5. (a) oz
(b) lb
(c) oz
6. (a) B
(b) 
7. (a) < (b) >
(c) > (d) >
(e) > (f) =
(g) > (h) <
(i) < (j) >
4. (a) 1 kg 650 g
(b) 1 h 45 min
(c) 0 lb 11 oz
(d) 10 gal 2 qt
(e) 5 h 5 min
(f) 2 min 45 s
9. 48 L
10. 8 jugs
11. 224 lb
12. 1 kg 800 g
13. 12:10 p.m.
14. 2:20 p.m.
15. 2 h 45 min
16. 8:50 a.m.
17. (a) \$1.75 (b) \$0.75
18. \$8.44
19. (a) \$16.05 (b) \$51.10
(c) \$46.20 (d) \$4.70
20. (a) \$59.78 (b) \$26.88
21. \$53.75
22. No
23. (a) 8; 6 (b) 2; 3
24. (a) $\frac{4}{5}$ (b) $\frac{5}{6}$
25. (a) $\frac{3}{5}$ (b) $\frac{1}{3}$
26. 10
27. (a) 24 (b) 5
28. Sara
29. $\frac{2}{5}$
30. $\frac{1}{5}$
31. (a) 55 (b) Nov.
(c) Oct. (d) 15
32. (a) 1 m 70 cm
(b) no
(c) 1, 1, 2
33. 510 yd
34. 91 m²
35. (a) 117 cm² (b) 48 cm